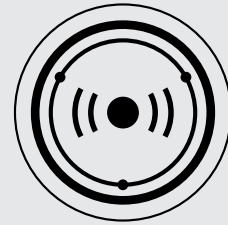


## ASSEMBLY INSTRUCTIONS



INTELLIGENT LOCKING SYSTEMS

### OTS®PULSE LOCK INSTALLATION AND ASSEMBLY

The OTS®PULSE lock can be installed in lockers up to 20 mm thick.

The assembly of the lock in the locker door must be correctly carried out to ensure the correct operation of the lock.

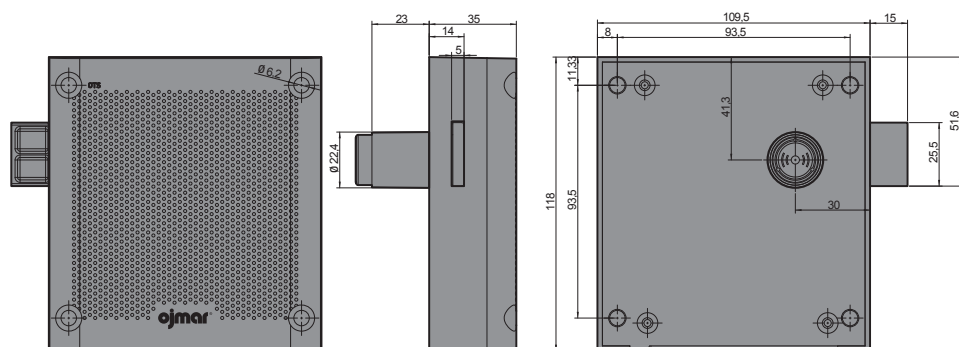
The position of the fixing holes and the distance from the lock to the locker body, as shown in figures 1.2 and 1.3, must be correctly carried out to prevent the knob from seizing up and the tab from being blocked.

If the tab becomes blocked due to incorrect installation, it can be unblocked by pressing the door inwards and pulling the knob outwards.

### TECHNICAL DRAWINGS

#### OTS®RFID LOCK

E-30



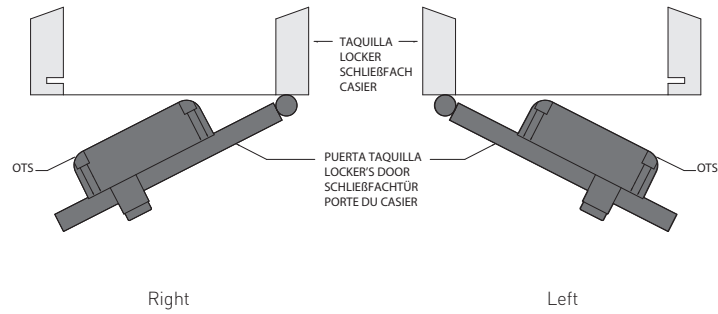
## LOCK DIRECTION

### 1.1

Lock installation must be carried out with screws in four drilled holes.

Lock assembly depending on if it is right handed or left handed is as follows.

Representation of right and left handed locks



## ASSEMBLY CONSIDERATIONS

The OTS lock is fixed to the locker door with four screws.

1.- Recommended screws:

- Conglomerate doors: Coach nut 4.5 x 35 (depending on the thickness of the door)

- Phenolic or metal doors: Raised countersunk screw Philips M5 x 35 (depending on the thickness of the door)

2.- The maximum tightening torque to apply to the tightening of each screw or coach nut will be 300 Ncm.

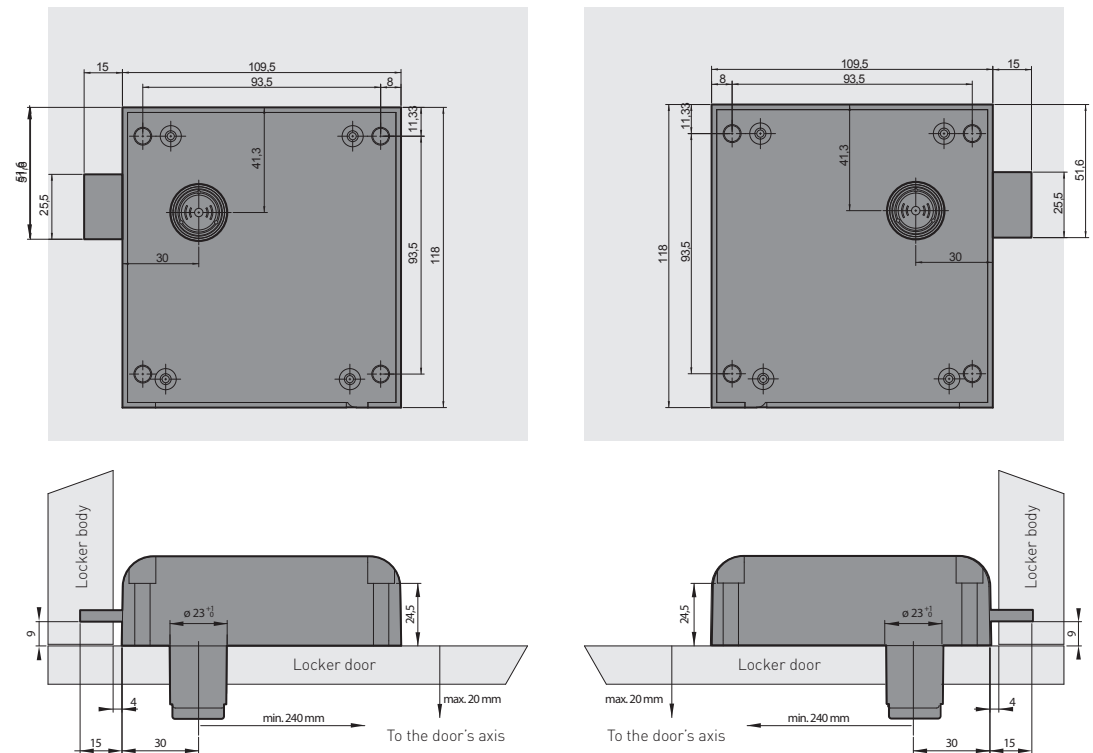
3.- The hole diameter for the knob must be 23 mm (+1/0 mm). Beveling the hole on the inner area of the door is recommended.

During installation, ensure that the lock does not collide with the locker body with the door open.

The dimensions and location of the fixing holes are shown in the figures 1.2.

### 1.2

Measurements of OTS lock in mm.



## ASSEMBLY AND INSTALLATION PROCESS

### 1.3

The steps to follow to assemble an OTS lock on a support or furnishing should be followed in this order:

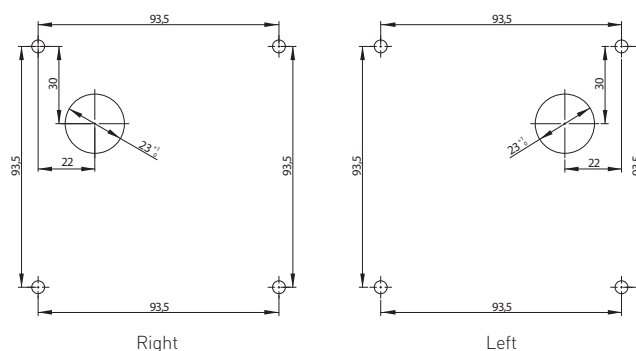
1.- Mark the holes according to figure 1.3.

2.- Drill the handle hole.

3.- If necessary, drill the holes to secure the lock.

4.- Screw the lock with four set screws.

Measurements of the mounting holes in mm.





INTELLIGENT LOCKING SYSTEMS

CONTACT  
sales@ojmar.com  
+34.943.748.484

OJMAR HQ  
Polígono Industrial de Lerun  
20870 Elgoibar - SPAIN

OJMAR USA  
17155 Von Karman Ave, S111  
Irvine CA. 92614 - USA

[www.ojmar.com](http://www.ojmar.com)